

Rev. Mark	Description	Date

A

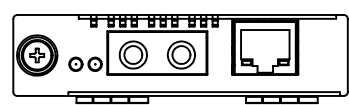
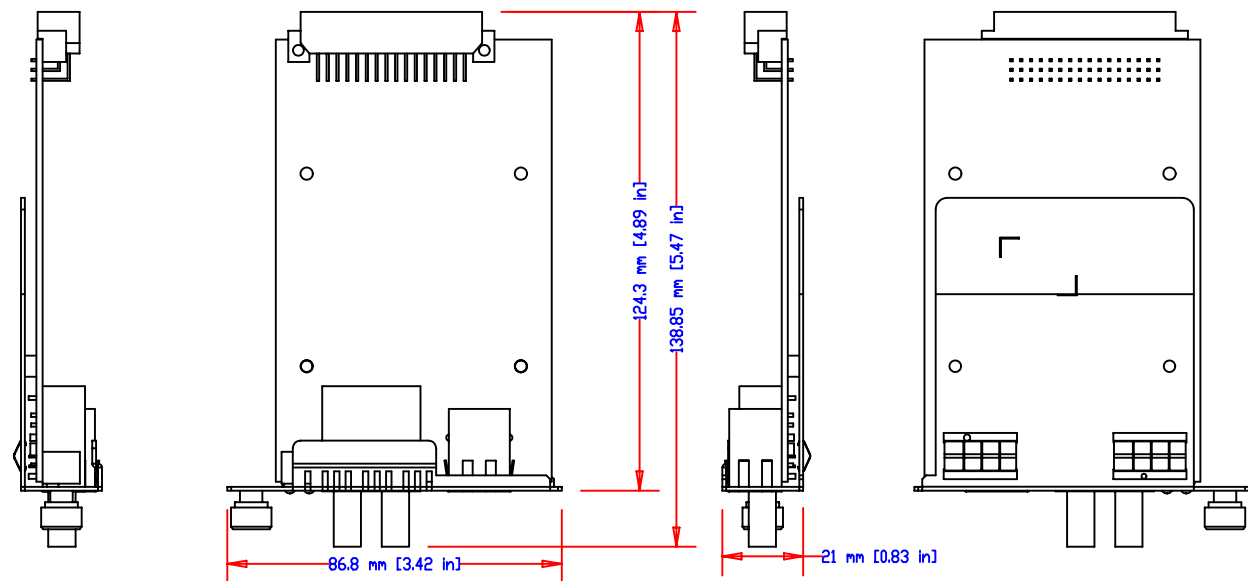
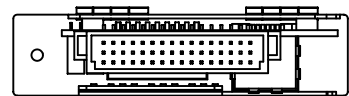
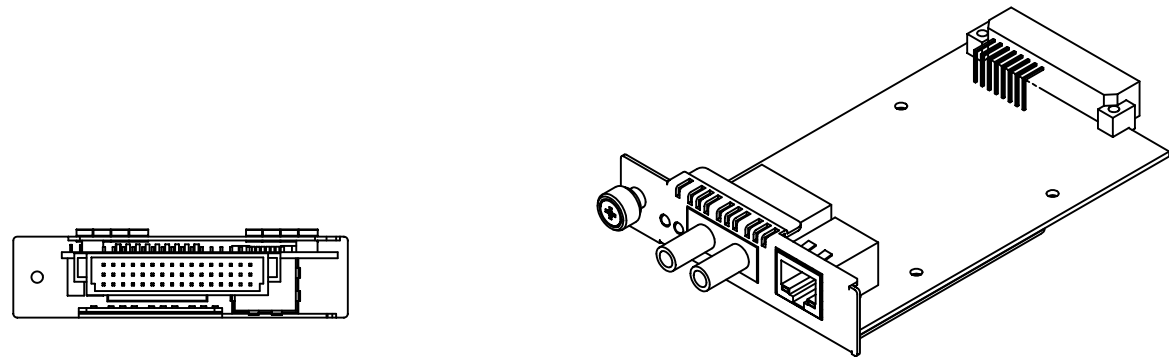
B

C

D

E

F



Length	Specified Tolerance		
	Class 1	Class 2	Class 3
0.5~<6	±0.05	±0.1	±0.15
6~<30	±0.1	±0.2	±0.25
30~<120	±0.2	±0.3	±0.35
120~<215	±0.3	±0.4	±0.45
215~<315	±0.4	±0.5	±0.55
315~<500	±0.5	±0.6	±0.65
500~	±0.6	±0.7	±0.75

MOXA
 Tel:+886-2-89191230
 Fax:+886-2-89191231
 www.moxa.com

Designer	Porjection	Unit	mm	Tolerance	Class 2	Product Model	TCF-142-M-ST-RM	Frame	A4
Vincent		Scale	1:1	Material	XXX	Drawn Name	Dimension	Ver.	1.0
Date	3rd Angle	Date	XXX	File Name	XXX	Product No.	XXX		