

A-SA Series

Surge arrester



Features and Benefits

- N-type connector

Introduction

The A-SA Series is a set of N-type to N-type surge arresters to help protect connected electrical devices from power surges.

Specifications

Physical Characteristics

Connector Type	A-SA-NMNF-01: N-type (Male) to N-type (Female) A-SA-NFNF-01: N-type (Female) to N-type (Female)
Frequency	0 to 6 GHz
V.S.W.R.	1:1.5 @ 0-5 GHz 1:2.0 @ 5-6 GHz
Insertion Loss	0.5 dB (max.)
DC Breakdown Voltage	90 V \pm 20% @ 100 V/S
Impulse Breakdown Voltage	< 600 V @ 1k V/ μ s
AC Discharge Current	5 A @ 50 Hz
Surge Discharge Current	5 kA @ 8/20 μ s
Initial Insulation Resistance	\geq 1000 m Ω
Electrode Capacitance	1.5 P

Warranty

Warranty Period	1 year
Details	See www.moxa.com/warranty

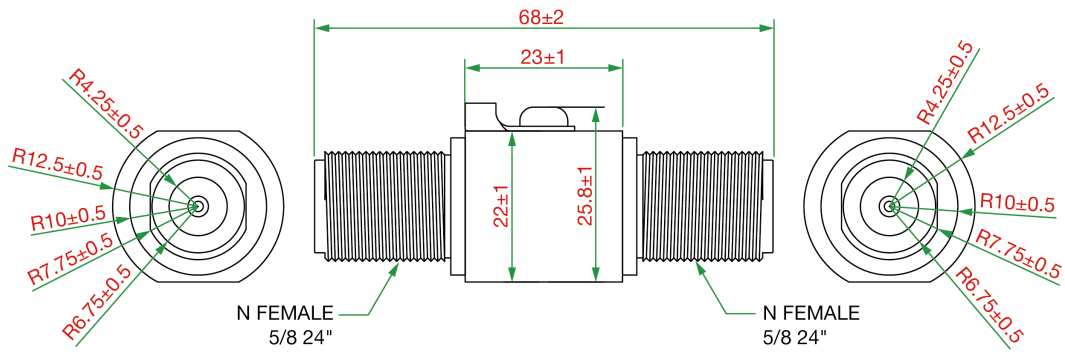
Package Contents

Device	1 x A-SA Series surge arrester
--------	--------------------------------

Dimensions

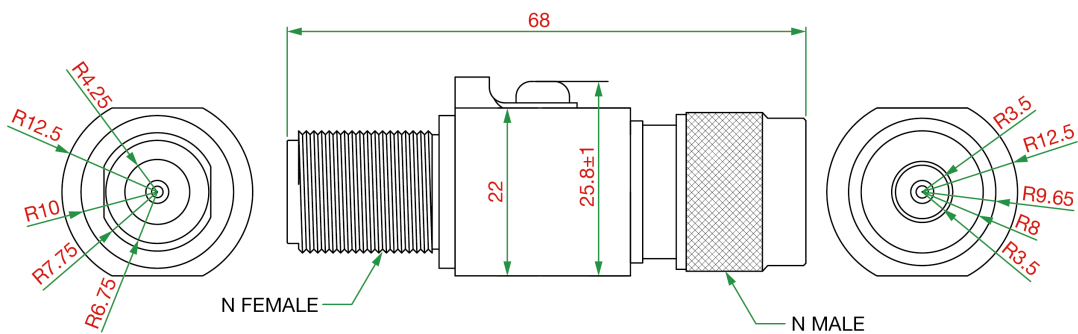
A-SA-NFNF-01

Unit: mm



A-SA-NMNF-01

Unit: mm



Ordering Information

Model Name	Frequency	Connector Type
A-SA-NFNF-01	0 to 6 GHz	N-type (female) to N-type (female)
A-SA-NMNF-01	0 to 6 GHz	N-type (female) to N-type (male)

© Moxa Inc. All rights reserved. Updated Dec 13, 2019.

This document and any portion thereof may not be reproduced or used in any manner whatsoever without the express written permission of Moxa Inc. Product specifications subject to change without notice. Visit our website for the most up-to-date product information.